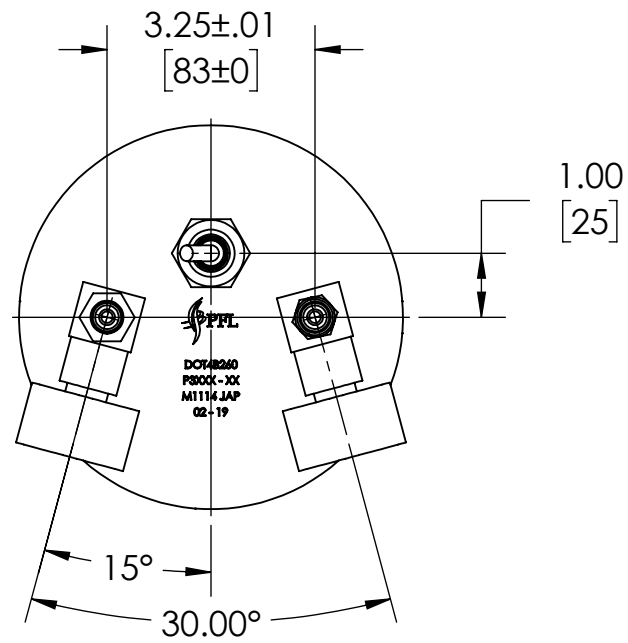
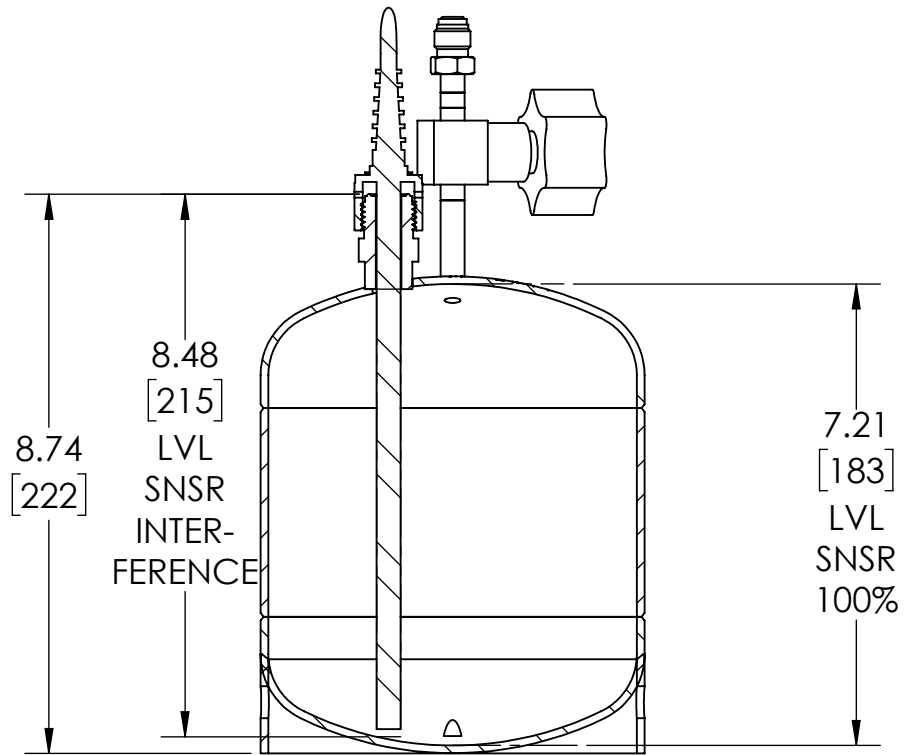
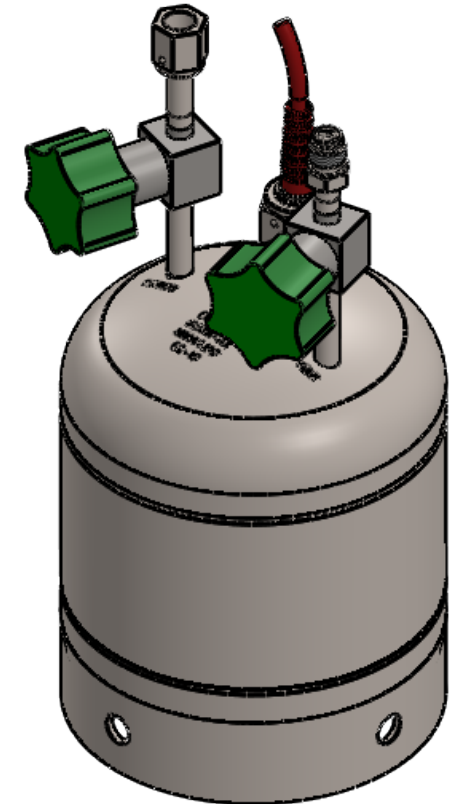


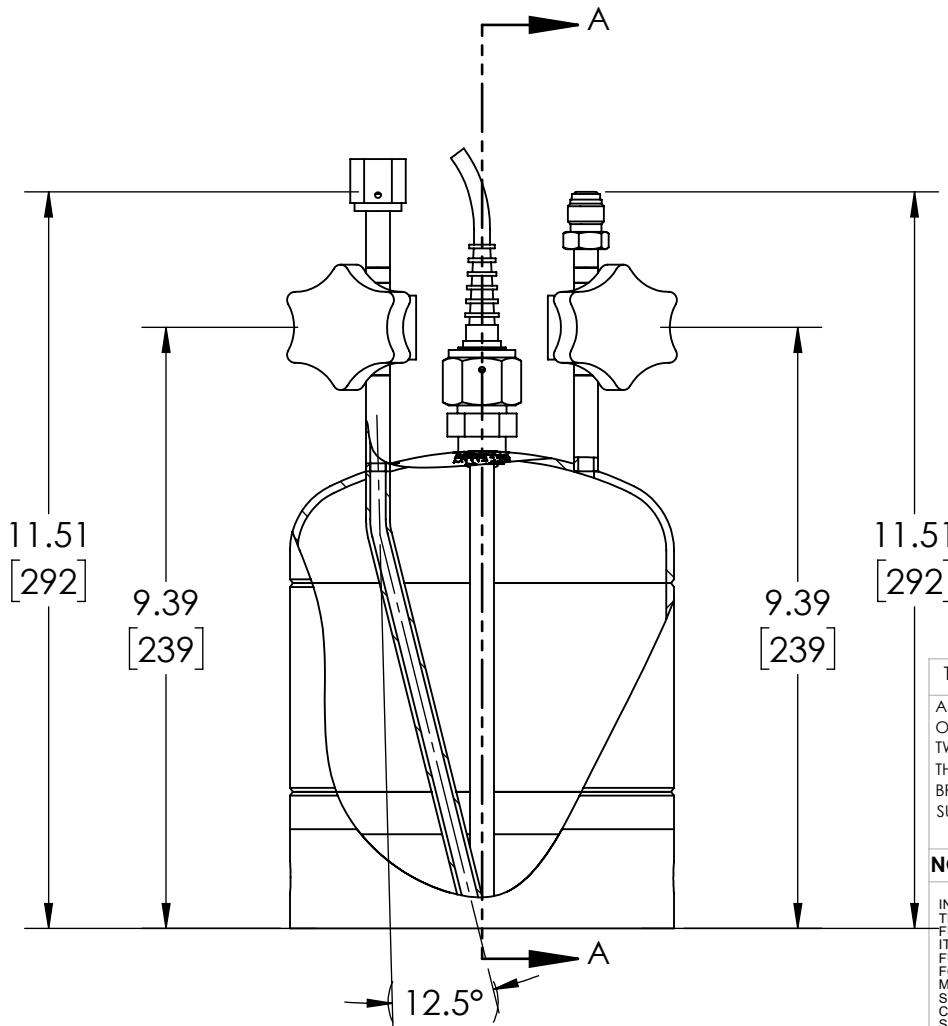
DESIGN SPECIFICATION	
CYLINDER MODEL	PF2500, 0230.3
CYLINDER SIZE	6.00 DIA x 7.45H
CYLINDER WORKING VOLUME	2500CC
TOTAL CYLINDER VOLUME	2700CC
CYLINDER TARE WEIGHT	
DESIGN PRESSURE	260PSI
DESIGN TEMPERATURE	150F
INTERNAL FINISH	20ra MAX ELECTROPOLISH
EXTERNAL FINISH	40ra MAX
FILLPORT	GASFLO,AD-HP0504
INLET VALVE	GASFLO,VLV-ST-44N45N-RH
OUTLET VALVE	GASFLO,VLV-ST-44N45N-RH
THERMOWELL	NO
DIPTUBE	YES / INLET
MATERIAL OF CONSTRUCTION	316L SS
TEST PRESSURE	520 PSI
D.O.T. SPECIFICATION	4B-260
TOLERANCE (UNLESS OTHERWISE SPECIFIED)	±.060



REVISIONS				
ZONE	REV.	DESCRIPTION	DATE	APPROVED
	1	INITIAL RELEASE	4/8/2013	
	2	REDESIGN OF SKIRT	7/7/2016	
	3	ADJUST DIMENSIONS, ADD LVL SENSOR	2/27/2019	



SECTION A-A



TOLERANCES UNLESS OTHERWISE SPECIFIED

ANGULAR:	±0.5°	±0°30'
ONE PLACE DECIMAL:	±.1in	[±.254mm]
TWO PLACE DECIMAL:	±.01in	[.25mm]
THREE PLACE DECIMAL:	±.005in	[±.127mm]
BREAK ALL SHARP CORNERS:	R.02/0in	[R.50/.25mm]
SURFACE FINISH:	63	[1.6]

**NOTICE OF CONFIDENTIAL INFORMATION**

INFORMATION CONTAINED HEREIN IS CONFIDENTIAL AND IS THE PROPERTY OF PRECISION FABRICATORS LTD. WHERE FURNISHED WITH A PROPOSAL THE RECIPIENT SHALL USE IT SOLELY TO EVALUATE THE PROPOSAL. WHERE FURNISHED TO A CUSTOMER IT SHALL BE USED SOLELY FOR PURPOSES OF INSPECTION INSTALLATION, OR MAINTENANCE. WHERE FURNISHED TO A SUPPLIER IT SHALL BE USED SOLELY IN THE PERFORMANCE OF WORK CONTRACTED FOR BY THIS COMPANY. THE INFORMATION SHALL NOT BE USED OR DISCLOSED BY THE RECIPIENT FOR ANY OTHER PURPOSE WHATSOEVER.

INTERPRET GEOMETRIC TOLERANCING PER THIRD ANGLE PROJECTION  
UNLESS OTHERWISE SPECIFIED: PRIMARY DIMENSIONS ARE INCH. ALTERNATE UNITS ARE MM.

NAME	DATE
DRAWN	JTS 4/8/2013
CHECKED	
ENG APPR.	
MFG APPR.	
Q.A.	

**PRECISION FABRICATORS LTD.**  
171 TOSCA DRIVE  
STOUGHTON, MA 02072  
(781) 341-7241 PHONE  
(781) 341-7245 FAX

TITLE:	
PF2500CCVBC-G PFL STOCK 2.5 LITER	
SIZE	DWG. NO.
B	0230 - PF2500CCVBC-G
REV	3