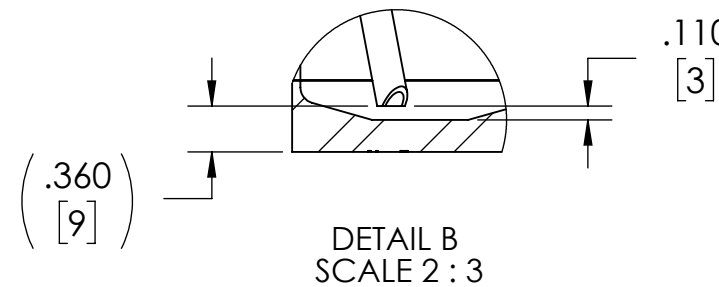
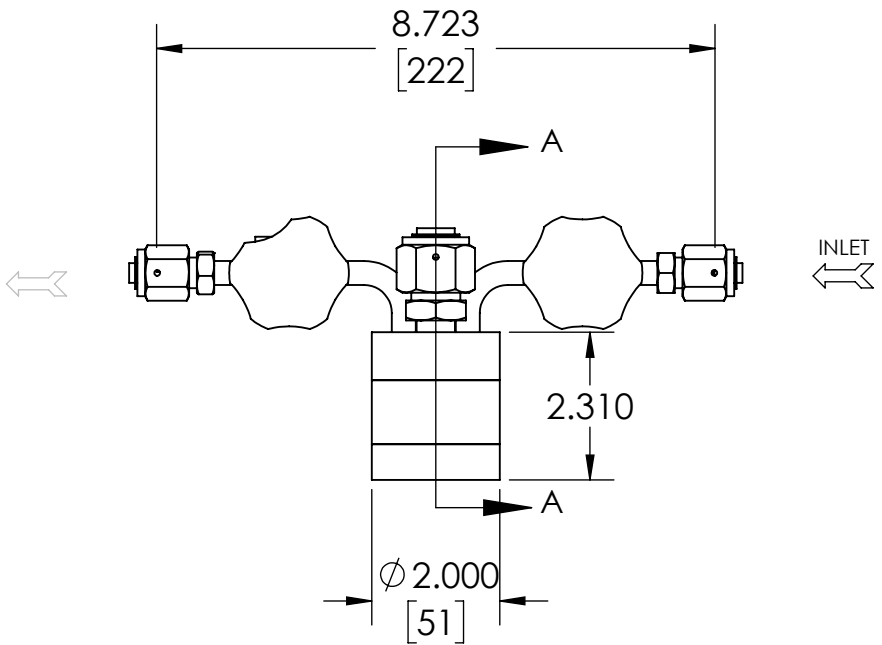
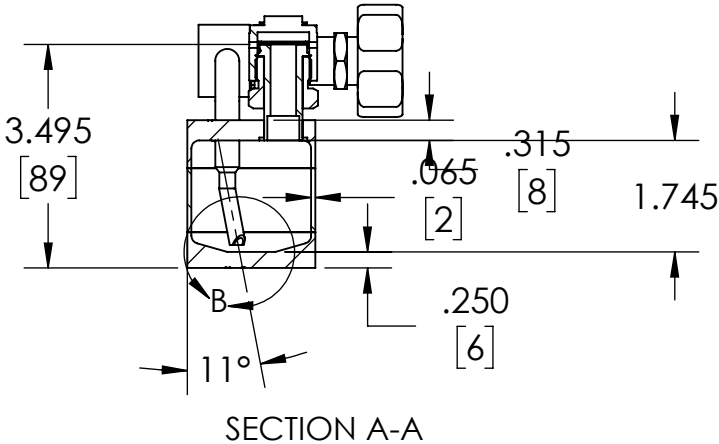
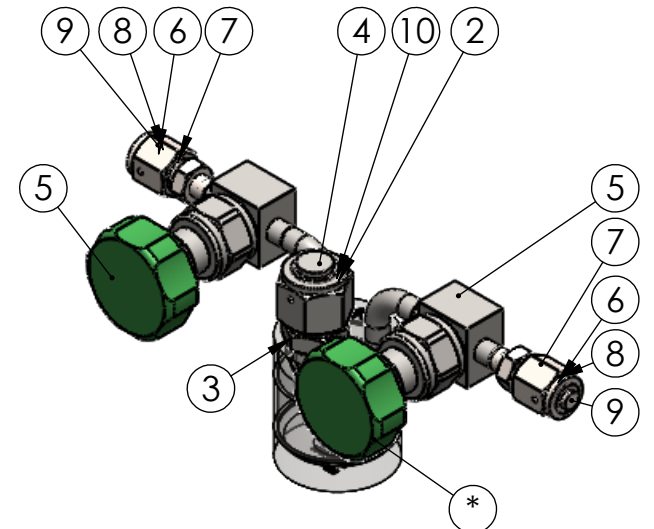
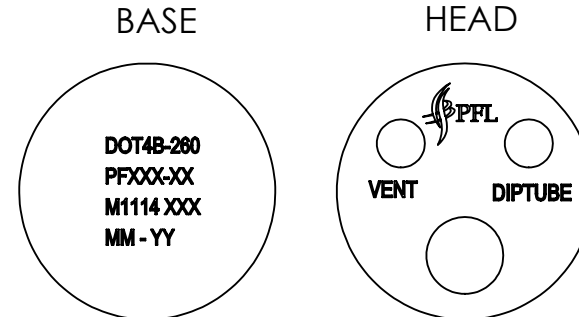
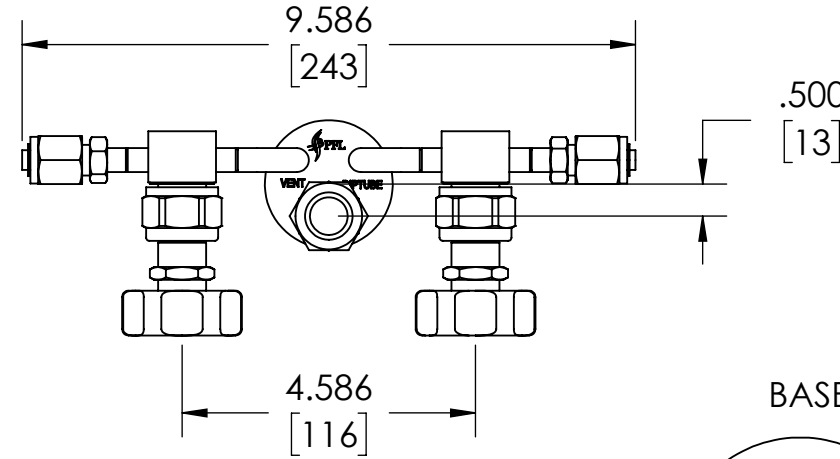


DESIGN SPECIFICATION	
CYLINDER MODEL	0253 - Horiz Vlv
CYLINDER SIZE	2" DIAMETER
CYLINDER WORKING VOLUME	50cc
TOTAL CYLINDER VOLUME	74cc
CYLINDER TARE WEIGHT	3.64lbs
DESIGN PRESSURE	260 psi
DESIGN TEMPERATURE	250F/121C
INTERNAL FINISH	10ra, MIRROR, ELECTROPOLISH
EXTERNAL FINISH	10ra, MIRROR, ELECTROPOLISH
FILLPORT	SWAGELOK, 1/2 VCR
INLET VALVE	SWAGELOK, SS-DSTW-4
OUTLET VALVE	SWAGELOK, SS-DSTW-4
THERMOWELL	NO
DIPTUBE	YES, INLET
MATERIAL OF CONSTRUCTION	316L SS
TEST PRESSURE	520 psi
D.O.T. SPECIFICATION	4B-260
TOLERANCE (UNLESS OTHERWISE SPECIFIED)	±.060

ZONE	REV.	DESCRIPTION	DATE	APPROVED
	01	INITIAL RELEASE	10/15/2014	
	02	UPDATE DRAWING FORMAT	6/12/2015	



ITEM NO.	PART NUMBER	DESCRIPTION	VENDOR	Default QTY.
1	0193-0001	CYLINDER, STAINLESS STEEL, 150ml	PFL	1
2	SS-8-VCR-3	GLAND, 1/2" VCR	SWAGELOK	1
3	SS-8-VCR-4	NUT, MALE, 1/2 VCR	SWAGELOK	1
4	SS-8-VCR-CP	CAP, 1/2 VCR	SWAGELOK	1
5	SS-DSTW4	VALVE, HIGH PURITY 3/8" TBW	SWAGELOK	2
6	6LV-4-HVCR-3-1.19SR	GLAND, HVCR, 3/8" BW, 1.19" LG, UHP	SWAGELOK	2
7	SS-4-VCR-4	NUT, MALE, 1/4 VCR	SWAGELOK	2
8	SS-4-VCR-2-GR	GASKET RETAINER, 1/4"	SWAGELOK	2
9	SS-4-VCR-CP	Swagelok CAP, 1/4" VCR	SWAGELOK	2
10	SS-8-VCR-2-GR	GASKET RETAINER, 1/2"	SWAGELOK	1

TOLERANCES UNLESS OTHERWISE SPECIFIED
 ANGULAR: ±0.5° ±0°30'
 ONE PLACE DECIMAL: ±.1in [±.254mm]
 TWO PLACE DECIMAL: ±.01in [±.25mm]
 THREE PLACE DECIMAL: ±.005in [±.127mm]
 BREAK ALL SHARP CORNERS: R.02/0.1in [R.50/.25mm]
 SURFACE FINISH: 63 ✓ [1.6] ✓

INTERPRET GEOMETRIC TOLERANCING PER THIRD ANGLE PROJECTION
 UNLESS OTHERWISE SPECIFIED: PRIMARY DIMENSIONS ARE INCH. ALTERNATE UNITS ARE MM.

PRECISION FABRICATORS LTD.
 171 TOSCA DRIVE
 STOUGHTON, MA 02072
 (781) 341-7241 PHONE
 (781) 341-7245 FAX

NAME	DATE	TITLE:
DRAWN: MJC	10/14/2014	0253 - Horiz Vlv
CHECKED: DBD	12/31/1799	CUSTOMER DWG
ENG APPR.: DBD	12/31/1799	
MFG APPR.: EJY	12/31/1799	
Q.A.	12/31/1799	

NOTICE OF CONFIDENTIAL INFORMATION
 INFORMATION CONTAINED HEREIN IS CONFIDENTIAL AND IS THE PROPERTY OF PRECISION FABRICATORS LTD. WHERE FURNISHED WITH A PROPOSAL THE RECIPIENT SHALL USE IT SOLELY TO EVALUATE THE PROPOSAL. WHERE FURNISHED TO A CUSTOMER IT SHALL BE USED SOLELY FOR PURPOSES OF INSPECTION INSTALLATION, OR MAINTENANCE. WHERE FURNISHED TO A SUPPLIER IT SHALL BE USED SOLELY IN THE PERFORMANCE OF WORK CONTRACTED FOR BY THIS COMPANY. THE INFORMATION SHALL NOT BE USED OR DISCLOSED BY THE RECIPIENT FOR ANY OTHER PURPOSE WHATSOEVER.

SIZE	DWG. NO.	REV
B	0253-0001 PFL 50cc VERSION	02

DO NOT SCALE DRAWING SCALE: 1:3 SHEET 1 OF 11