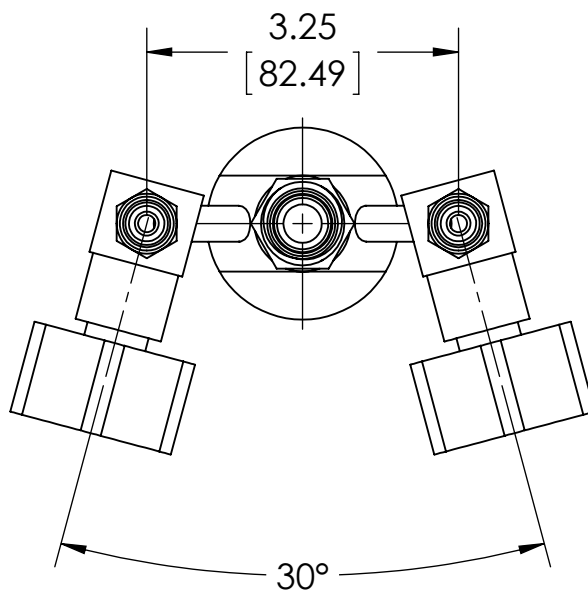
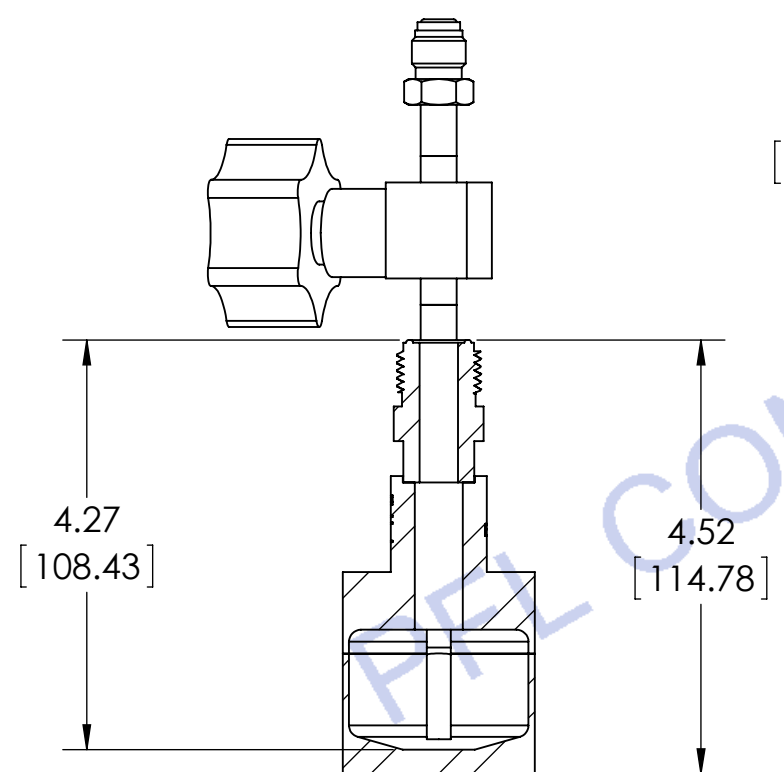
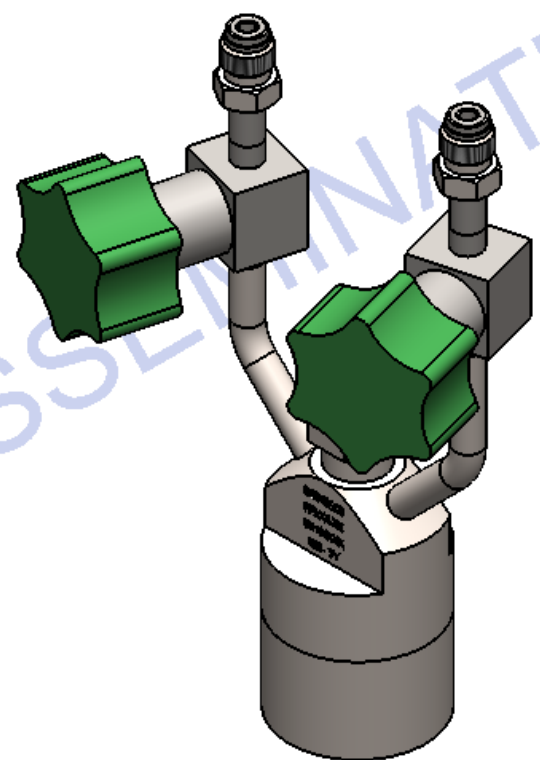


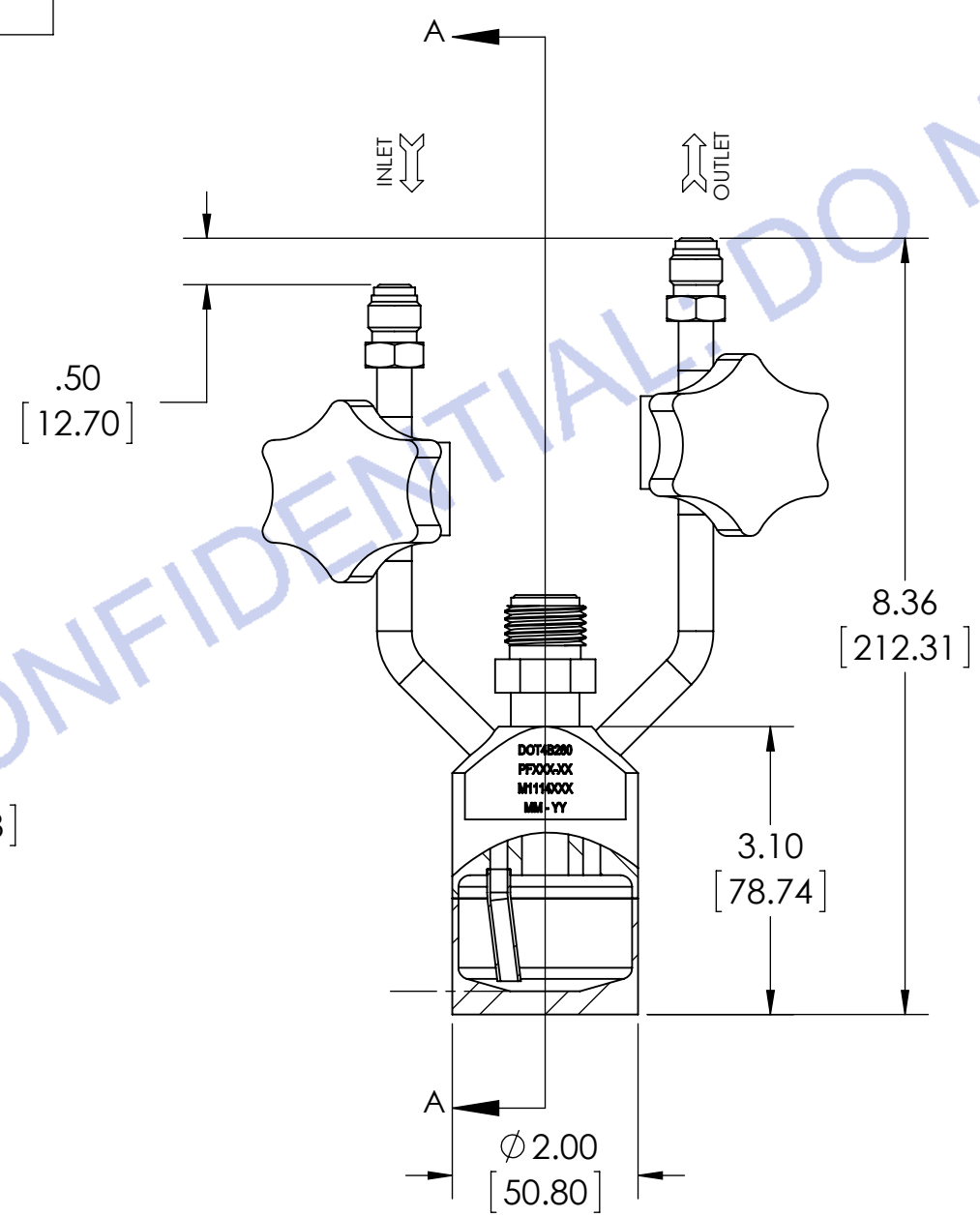
DESIGN SPECIFICATION	
CYLINDER MODEL	PF-0050CCVBC-MG-DT
CYLINDER SIZE	2.000 DIA
CYLINDER WORKING VOLUME	50CC
CYLINDER TOTAL VOLUME	55CC
CYLINDER TARE WEIGHT	3.74LBS
DESIGN PRESSURE	260 PSIG
TEST PRESSURE	520 PSIB
DESIGN TEMPERATURE	150 DEG F
INTERNAL FINISH	20ra MAX ELECTROPOLISH
EXTERNAL FINISH	40ra MAX
FILLPORT	GASFLO,AD-HP0504
INLET VALVE	GASFLO VLV-ST-44N45N-RH
OUTLET VALVE	GASFLO VLV-ST-44N45N-RH
THERMOWELL	NO
DIPTUBE	YES / INLET
MATERIAL OF CONSTRUCTION	316L SS
D.O.T. SPECIFICATION	DOT4B
TOLERANCE (UNLESS OTHERWISE SPECIFIED)	±.060



ZONE	REV.	DESCRIPTION	DATE	APPROVED
	1	INITIAL RELEASE	11/14/2013	
	02	UPDATE LAOUT	08/17/2015	



SECTION A-A
SCALE 1 : 2



TOLERANCES UNLESS OTHERWISE SPECIFIED
 ANGULAR: ±0.5° ±0°30'
 ONE PLACE DECIMAL: ±.1in [±.254mm]
 TWO PLACE DECIMAL: ±.01in [±.25mm]
 THREE PLACE DECIMAL: ±.005in [±.127mm]
 BREAK ALL SHARP CORNERS: R.02/01in [R.50/.25mm]
 SURFACE FINISH: 63 ✓ [1.6] ✓

INTERPRET GEOMETRIC TOLERANCING PER THIRD ANGLE PROJECTION
 UNLESS OTHERWISE SPECIFIED: PRIMARY DIMENSIONS ARE INCH. ALTERNATE UNITS ARE MM.

PRECISION FABRICATORS LTD.
 171 TOSCA DRIVE
 STOUGHTON, MA 02072
 (781) 341-7242 PHONE
 (781) 341-7245 FAX

NOTICE OF CONFIDENTIAL INFORMATION

INFORMATION CONTAINED HEREIN IS CONFIDENTIAL AND IS THE PROPERTY OF PRECISION FABRICATORS LTD. WHERE FURNISHED WITH A PROPOSAL THE RECIPIENT SHALL USE IT SOLELY TO EVALUATE THE PROPOSAL. WHERE FURNISHED TO A CUSTOMER IT SHALL BE USED SOLELY FOR PURPOSES OF INSPECTION INSTALLATION, OR MAINTENANCE. WHERE FURNISHED TO A SUPPLIER IT SHALL BE USED SOLELY IN THE PERFORMANCE OF WORK CONTRACTED FOR BY THIS COMPANY. THE INFORMATION SHALL NOT BE USED OR DISCLOSED BY THE RECIPIENT FOR ANY OTHER PURPOSE WHATSOEVER.

	NAME	DATE
DRAWN	MJC	8/19/2015
CHECKED	DBD	12/31/1799
ENG APPR.	DBD	12/31/1799
MFG APPR.	EJY	12/31/1799
Q.A.		12/31/1799

TITLE: PFL50CCVBC-G	
CUSTOMER DWG	
SIZE B	DWG. NO. 0358-0001
REV 01	